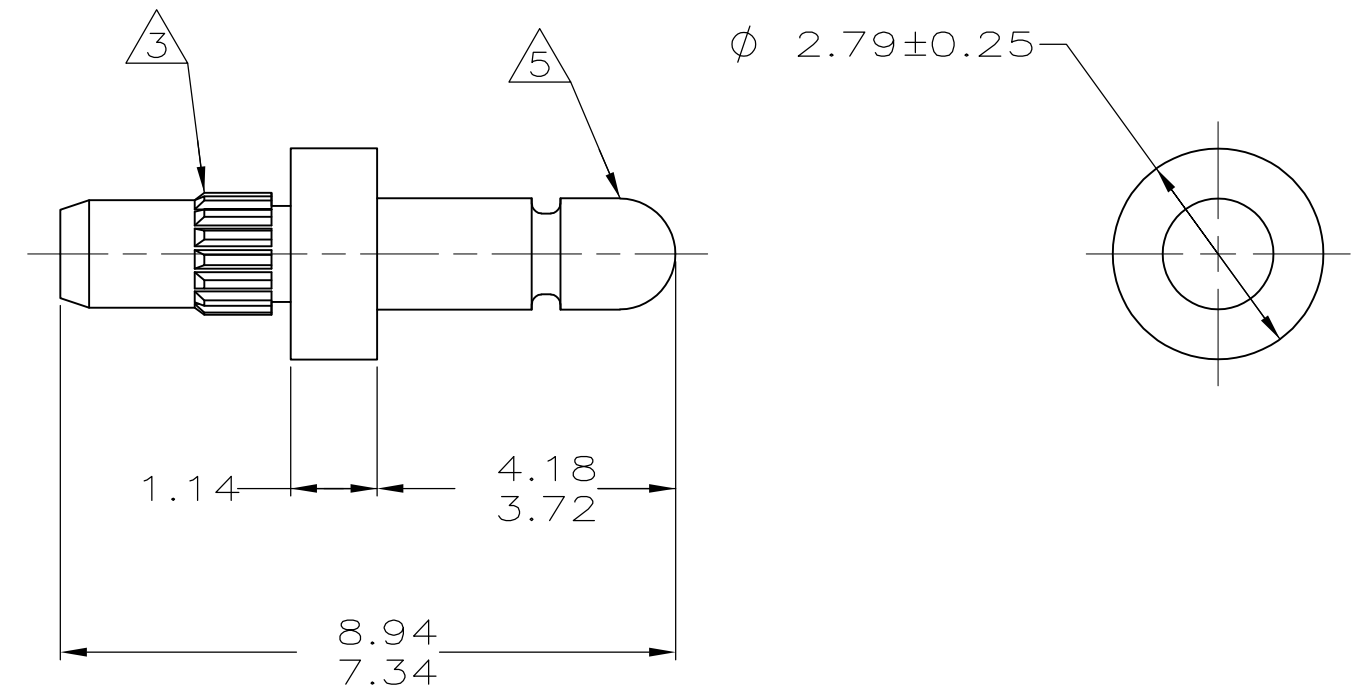


THIS DRAWING IS UNPUBLISHED. RELEASED FOR PUBLICATION  
 © COPYRIGHT - By - ALL RIGHTS RESERVED.

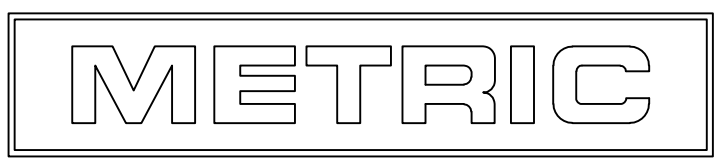
LOC	DIST	REVISIONS					
		P	LTR	DESCRIPTION	DATE	DWN	APVD
CM	00						
			S1	REVISED PER ECO-11-004820	11MAR11	RK	HMR



- ① 0.00381 MIN BRIGHT TIN-LEAD PLATING ALL OVER.
- ② 0.00076 MIN GOLD PLATING ALL OVER.
- ③ REED STRAIGHT TOOTH KNURL CS 80-80 T.P.I., 125 TEETH, 70° INCLUDED ANGLE. FITS 1.50 - 1.57 DIAMETER HOLE IN A 1.59 PRINTED CIRCUIT BOARD.
- 4. PARTS TO COMPLY WITH AMP SOLDERABILITY SPECIFICATION 109-11-3.
- ⑤ MATES WITH AMP PARTS 60354 AND 60598.
- ⑥ 0.00381 MIN BRIGHT TIN PLATING ALL OVER.

-	-
8.94	.352
7.34	.289
4.18	.165
3.72	.146
2.79	.110
1.59	.063
1.57	.062
1.50	.059
1.47	.058
1.14	.045
0.25	.010
0.13	.005
0.00381	.000150
0.00076	.000030
MM	IN

CONVERSION TABLE



⑥	3-60599-1
②	60599-3
①	60599-1
FINISH	PART NUMBER

THIS DRAWING IS A CONTROLLED DOCUMENT.		DWN S. CARPENTER 21AUG2003	TE Connectivity	
DIMENSIONS: mm		CHK J. ELLIS 21AUG2003		
TOLERANCES UNLESS OTHERWISE SPECIFIED:		APVD J. ELLIS 21AUG2003	NAME PIN, .058 DIAMETER, BRASS, KNURLED, P.C. CONTACT	
0 PLC ± 1 PLC ± 2 PLC ± 0.13 3 PLC ± 4 PLC ± ANGLES ±		PRODUCT SPEC 108-1025	RESTRICTED TO	
MATERIAL BRASS		APPLICATION SPEC 114-1008	SIZE A3	CAGE CODE 00779
FINISH SEE TABLE		WEIGHT	DRAWING NO C-60599	REV S1
CUSTOMER DRAWING			SCALE 10:1	SHEET 1 OF 1